

MICRO JACKING BEAMS

MICRO 2000 & MICRO 3000-B AIR-HYDRAULIC JACKING BEAM WITH 2 & 3 TONNE CAPACITY

The Micro Air Over Hydraulic are for us with MOLNAR SM series Four Post Hoists

Using a pair of Jacking Beams in tandem will provide a total 'wheels free' servicing option. A single Jacking Beam can also be used for the front and rear of the vehicle. The Air Jacking Beam utilises an air over-hydraulic pump unit for quick, simple strong and reliable lifting. The top beam includes arm extensions to suit a wide range of vehicles and pick-up points.

FEATURES

- Double acting cylinder
- Mechanical parking system
- Arm extensions
- Standard colour RAL 2002
- Custom colours available
- Micro 2000 includes rubber blocks (50 & 80mm)
- Micro 3000-B includes lift pads



CONCRETE

150mm thick, reinforced, free from cracks/seams, 30mpa & cured 28+ days

VERSIONS

Micro 2000

- 2,000kg
- Suitable for SM440-S & SM440-A

Micro 3000

- 3,000kg
- Suitable for SM450-A, SM460-A & SM460-S

OPTIONAL EXTRAS

- Various sized Rubber Blocks
- 55 & 100mm lift pad extensions for Micro 3000-B
- Chassis pickup and larger pads available for Micro 3000-B

MICRO JACKING BEAMS

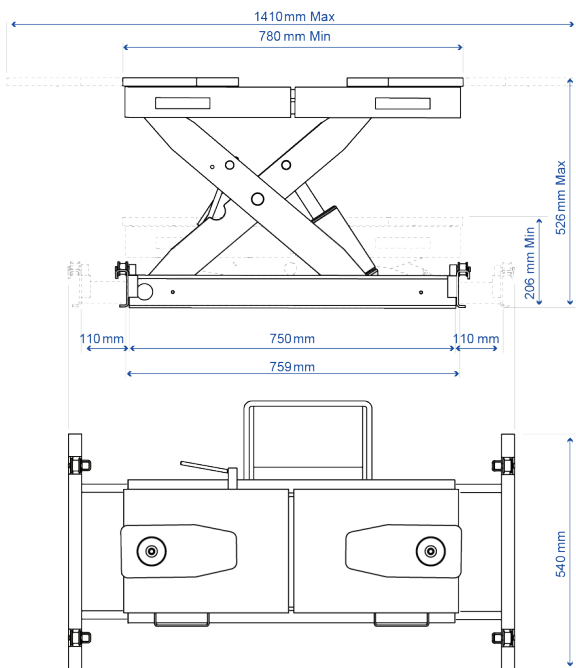
MICRO 2000 & MICRO 3000-B AIR-HYDRAULIC JACKING BEAM WITH 2 & 3 TONNE CAPACITY

SPECIFICATIONS

| Model No. | Micro 2000 | Micro 3000-B |
|-----------------------|---------------|---------------|
| Lifting Capacity (kg) | 2,000kg | 3,000kg |
| Lifting Height | 526mm | 512mm |
| Min. Height | 206mm | 250mm |
| Operation | Air-hydraulic | Air-hydraulic |
| Extension | 780-1410mm | 795-1445mm |

LAYOUT

Micro 2000



Micro 3000-B

